

This document is the property of Amphenol Corporation and is delivered on the express condition that it is not to be disclosed, reproduced or used, in whole or in part, for manufacture or sale by anyone other than Amphenol Corporation without its prior consent, and that no right is granted to disclose or to use any information in this document.

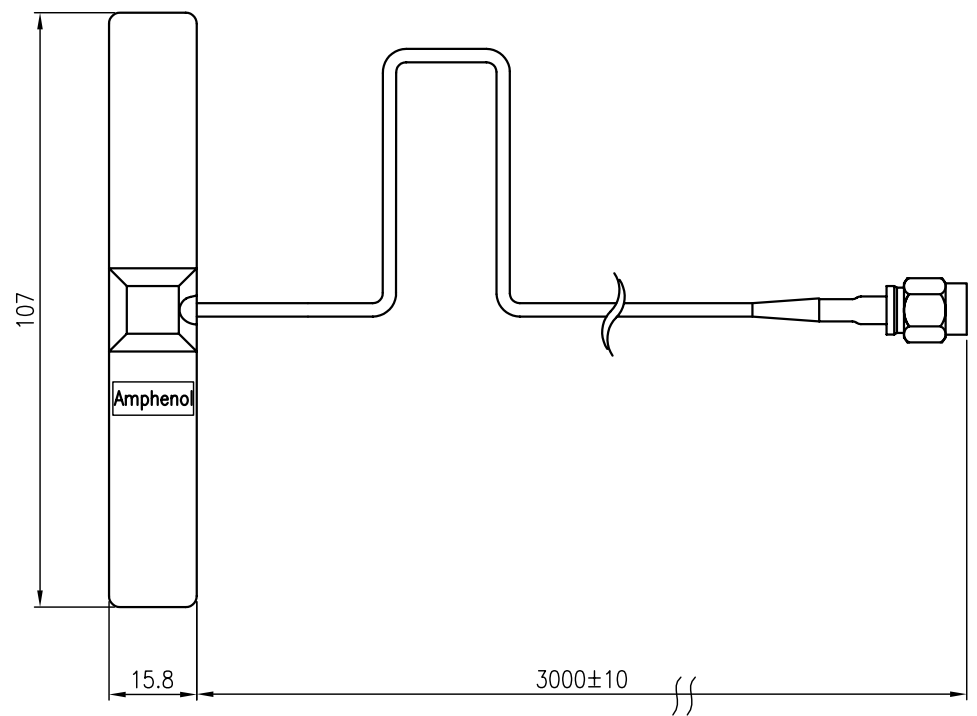
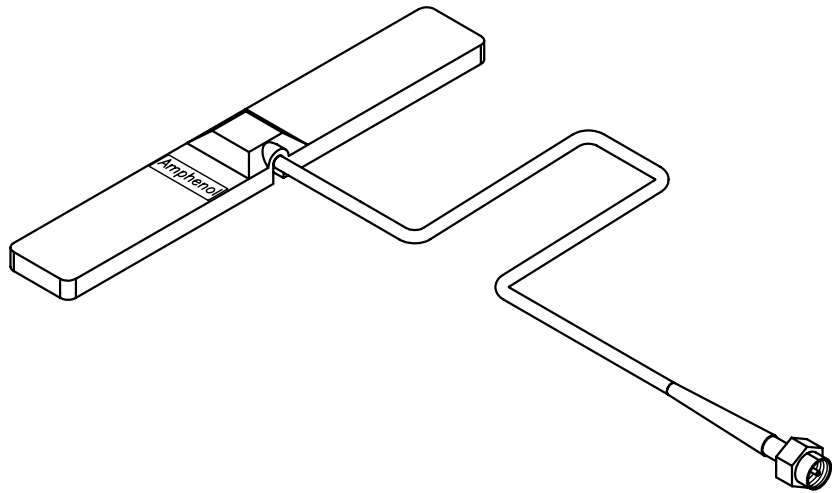
\* THIS PRODUCT DIDN'T HAVE ENVIRONMENT- RELATED SUBSTANCES PER MATERIALS SPECIFICATION #MS-S001, LEVEL 1. WHEN THE TIME SET SCHEDULE OF LEVEL 2 IS EXPIRY, THE SUBSTANCES SHALL NOT BE CONTAINED WITH THIS PRODUCT.

MFG CODE: VEDAL1

CUSTOMER DRAWING

ORIGINAL

REVISIONS			
SYM	ECN No.	DESCRIPTION	DATE APPROVED
A		RELEASE TO PRODUCTION	10/18/2002 Arthur Huang
B	NE-02A05	CHANGE CONNECTOR TO SMA	10/23/2002 Arthur Huang
C	NE-03555	MODIFIED TITLE DESCRIPTION	06/30/2003 Arthur Huang
D	NE-03594	CHANGED THE LENGTH FROM 2000±10 TO 3000±10	07/15/2003 Arthur Huang
E	NE-03713	ADDING "Amphenol" LOGO	09/03/2003 Arthur Huang



- NOTES:
- CABLE GROUP: RG174U COAXIAL CABLE, BLACK
  - CONNECTOR: SMA PLUG CONN.  
BODY: BRASS, NICKEL PLATED  
INSULATOR: TEFLON, NATURE COLOR  
CONTACT: BRASS, 5u" GOLD PLATED
  - SURFACE CLEANER: 3M VHB
  - TAPER: PE FOAM



- ELECTRICAL SPEC:
- IMPEDANCE: 50 OHMS
  - FREQUENCY BAND: G.S.M.= 880~960 MHZ  
1710~1880 MHZ
  - GAIN: 0 dB
  - V.S.W.R. < 2.0

TOLERANCE m/m	APPROVALS	DATE	TITLE	<b>Amphenol®</b> Amphenol Corporation Amphenol Taiwan Corporation		
	x. ±0.30	Sondra Sang			09/03/03	
	x.x ±0.25	Ken Lin			09/03/03	
	x.xx ±0.15	Arthur Huang			09/03/03	
x.xxx ±0.08			GSM FLAT ANTENNA DUAL BAND, SMA CONN. 50 OHMS	SCALE N.A. SHEET 1 OF 1		
ANGULAR ±2°						
UNLESS OTHERWISE SPECIFIED	UNIT	MM			SIZE	PART NO.
			A4	GAN 30023	OTHER-GAN30023-29	E